



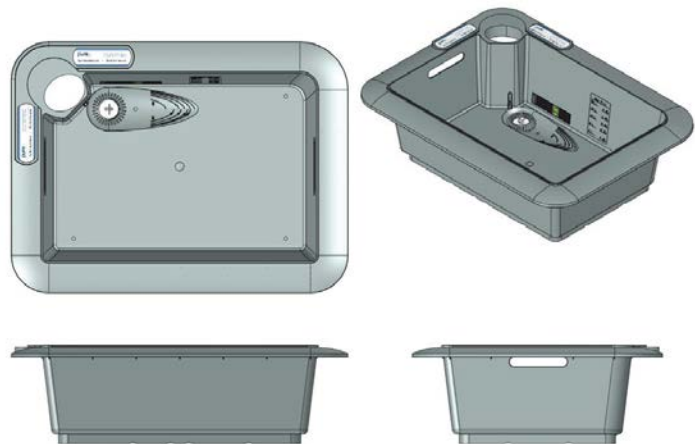
## PureStation™ Sink Insert – Care and Cleaning

### *Construction*

The PureStation is made of out a polypropylene material, making it softer than stainless steel and lightweight. Polypropylene is safer on medical instruments than steel, and durable for long periods of use.

The PureStation™ is built to thermal insulate, maintaining enzymatic and water temperatures for longer during pre-cleaning.

The polypropylene is medical grade and can be wiped down with medical grade disinfectants or be put into a cart washer for easy cleaning. It is also non-porous and does not absorb liquids.



### *Cleaning the PureStation*

The PureStation has an open configuration. Simply wipe it down with the same environmental disinfectant you use on all surfaces in the department. ProSpray™ Ready to Use Disinfectant Wipes are a good disinfectant choice for cleaning the PureStation.

You may also use the PureStation in your cart washer on the low or plastic setting.