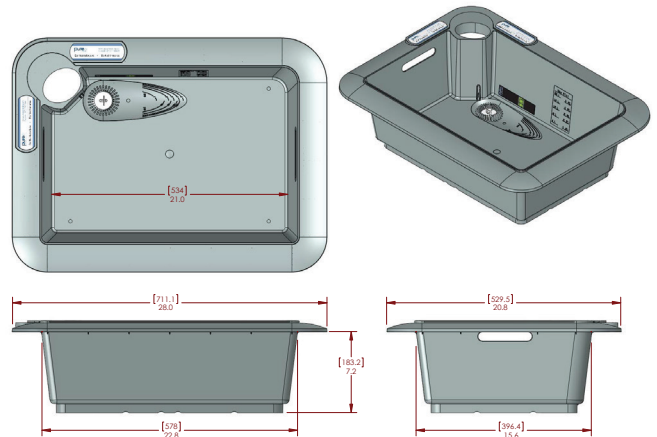


APPLICATION

PureStation™ Sink Inserts are an ergonomic work station that fits into pre-existing sink basins to raise the working height and add integrated accessories for pre-cleaning. The PureStation removes deep back bending and strain during reprocessing for better staff ergonomics. The PureStation can also be integrated into mobile carts for point-of-use pre-cleaning, transport, and storage solutions. Flushing capabilities with the FlexiPump™ Independent Flushing System can be integrated into the PureStation for complete lumened instrument pre-cleaning to replace syringes and spray guns.



DESCRIPTION

The PureStation Sink Insert includes integrated features for optimal pre-cleaning: a thermometer strip to monitor temperature; water volume indicators; a chemistry mixing well for detergent dilution; a device drain catch to prevent small pieces from being lost down the drain; handles that also act as overflow prevention; and solution and brush caddies to hold detergents and accessories at the area of pre-cleaning. The PureStation can also come as a Dedicated Eye Station to separate ocular instruments into their own space for reprocessing.

The Selections Checked Below Apply to This Equipment

Please note: quotes are not available for PureStation Systems without completed dimensional request forms (see reverse), and photos of the sink bay where the insert will be used.

DIMENSIONS

The size quoted will be determined upon review of photos and dimensions

- PureStation Sink Insert; QTY _____
 - FlexiPump™ Independent Flushing System; QTY _____
- Dedicated Eye Sink; QTY _____
 - FlexiPump™ Independent Flushing System; QTY _____

TUBE SETS

For PureStations with FlexiPump Systems

6 month Supply or Individual (circle one)

- 2 lead, 15 psi; QTY _____
- 2 lead, 30 psi; QTY _____
- 3 lead, 15 psi; QTY _____
- 3 lead, 30 psi; QTY _____
- 5 lead, 15 psi; QTY _____

MOBILE CARTS

- PureStation™ Mobile Cart; QTY _____
 - PureStation™ 3-Tiered Cart; QTY _____
 - PureStation™ 4-Tiered Cart; QTY _____
 - Custom; QTY _____
- Notes _____

TRANSPORT LIDS

- Transport Lids; QTY _____

DRAINING SYSTEM FOR CARTS

- Transfer Pump; QTY _____
- Ball Valve Drain Kit; QTY _____

OCULAR INSTRUMENT REPROCESSING PACKAGE

- PureStation Dedicated Eye Sink; QTY _____
 - FlexiPump Independent Flushing System
 - 5 lead, 15 psi tube set; QTY _____
 - ProWash™ Multi-Purpose Instrument Detergent and Cart Wash
 - Case of 4, 1 gallon bottles; QTY _____
 - 5 gallon bottle; QTY _____
 - 15 gallon drum; QTY _____
 - Pure LandingPad™ Silicone Sink Liners (20"x 20")
 - Individual; QTY _____
 - Pack of 2; QTY _____
 - Pack of 3; QTY _____
 - Custom size; QTY _____
- Size: _____

Facility

Facility Address

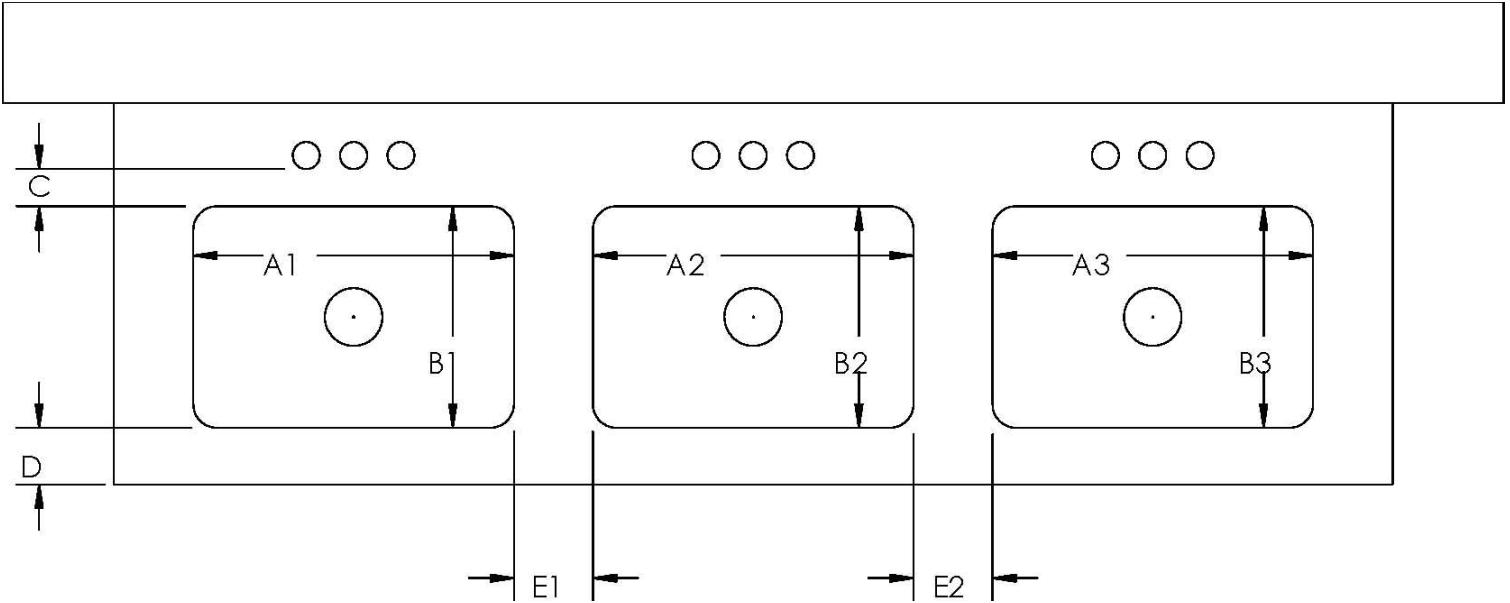
Date

Contact Name

Contact E-mail

Representative Name

Representative E-mail



Provide sink measurements as indicated on the drawing and write them in the space below.

MEASUREMENT	SINK 1	SINK 2	SINK 3
A			
B			
C			
D			
E1			
E2			
Depth			
Depth to fill line			

Electrical Requirement: Outlet within 8' of sink basin

Please email or text 3 photos of the entire sink including the basin and faucets.
We need a wider view of the faucets and general space.