

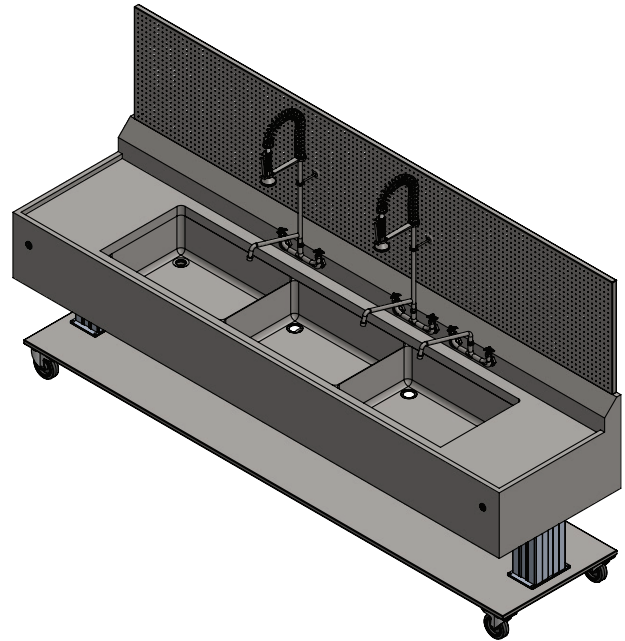
APPLICATION

PureSteel™ Healthcare Reprocessing Sinks are intended for use in the reprocessing and disinfection of surgical equipment and devices post operation including but not limited to flushing, soaking, leak testing, manual cleaning, and rinsing.

DESCRIPTION

PureSteel™ Healthcare Reprocessing Sinks are stainless steel sinks built for reprocessing departments that include an optional selection of accessories and features. PureSteel™ Sinks are height-adjustable with an electronic push button that adjust the sink basins and optional, attached pegboard. PureSteel™ Sinks also feature an open configuration storage shelf. Slanted surfaces prevent dust build-up. For additional ergonomics, slanted wrist edges can be included that remove pain on joints and wrists during long hour of pre-cleaning.

Custom sizes and multiple bays configurations are available.



The Selections Checked Below Apply to This Equipment

DIMENSIONS

- 78" x 30"
- 96" x 30"
- 120" x 30"
- Other _____

HEIGHT ADJUSTMENT

- Height-adjustable sink; QTY _____
- Fixed sink; QTY _____

BAY SIZE

- 1 bay
- 2 bay
- 3 bay
- Custom bays _____

CUSTOM

- Ergonomic Wrist Rests
- Volume Etchings (1 per bay); QTY _____

BASE WITH SHELF

- Casters
- Pedestal Feet

SEISMIC COMPATIBILITY

- Yes
- No

FAUCET TYPE

- Deck mounted; QTY _____
- Wall mounted; QTY _____
- Faucet sprayer; QTY _____

FAUCET CONFIGURATION

- Centered between bays
- 1 per bay
- Total number of faucets _____

PEGBOARD CONFIGURATION

- None
- Standard size (size of sink x 24")
 - Pegs standard throughout
 - Special peg design _____
- Custom size _____
 - Pegs standard throughout
 - Special peg design
- Accessory punches
 - 1/2"
 - 5/8"
 - 3/4"
 - 1"

Facility

Contact Name

Contact E-mail

Facility Address

Representative Name

Date

Representative E-mail

Purchase Time Frame

Reason for new sinks

SINK ACCESSORIES

- FlexiPump Independent Flushing System; QTY _____
 - Back wall installation
 - Sink wall Installation
- PureChannel™ Flush Touch-less Auto Dispenser; QTY _____
- PureStation™ Sink Inserts; QTY _____
 - 16 x 26
 - Flushing
 - 16 x 16
 - Flushing
- PureStation™ Dedicated Eye Sinks; QTY _____
 - 16 x 26
 - Flushing
 - 16 x 16
 - Flushing
- Mounted Light Hood for Pegboard
4 ft. Light Hood with Switch;
QTY _____
- Wire Baskets
 - 7"x7"x12"; QTY _____
 - 12"x12"x8"; QTY _____

- Pure LandingPad™ Silicone Sink Liners
 - 20" x 20"; QTY _____
 - Custom size _____
- Pure LandingPad™ Protective Surface Liners 18"x24"; QTY _____
- Automated Endoscope Reprocessing Racks; QTY _____
 - Medivators
 - ASP
 - Steris SS1 E
- 32 oz. Bottle Holder
 - 1 bottle holder; QTY _____
 - 2 bottle holder; QTY _____
 - 3 bottle holder; QTY _____
- Gallon Bottle Holder
 - 1 bottle holder: QTY _____
 - 2 bottle holder: QTY _____
- Enzyme Rinse & Solution Tanks; QTY _____
- Brush Bath & Shelf; QTY _____
- Digital Thermometer; QTY _____
- Solution Container and Devices Kit; QTY _____

ADDITIONAL ACCESSORIES

- PureComfort™ Anti-Fatigue Mat; QTY _____
 - 3" x 5"
 - 3" x 8"
 - Custom size _____
- GelPro™ Eco-Pro; QTY _____
 - 20" x 32
 - 20" x 48"
 - 20" x 72"
 - 24" x 36"
 - 36" x 60"
 - Custom size _____
- GelPro™ OR Anti-Fatigue Mat; QTY _____
 - Colombia Blue
 - 18"x 24"
 - 20"x 32"
 - 20"x 48"
 - DND Red
 - 18"x 24"
 - 20"x 32"
 - 20"x 48"



- Wire Baskets
- Light Hood
- PureChannel™ Flush Touch-less Auto Dispenser
- Gallon Bottle Holders
- 32oz. Bottle Holders
- Double FlexiPump Brackets
- 2 Gallon Enzyme/Rinse
- Pure LandingPad™ Surface Liners
- Pure LandingPad™ Silicone Sink Liners

Site Preparation Guide

NOTES & REQUIREMENTS

Power: 15A, 120V, or 60H required. All units are equipped with a Sentrex® High Performance Plug-In outlet center. All Plug-In outlet center units and Surge Suppressors feature electrical and mechanical grounding and resettable circuit breaker for overload protection. 1 outlet required for power and must be within 12' from the back.

Plumbing: Braided hoses are used and must have 13" of latitude to allow the sink to articulate up and down. One hose is required for both hot and cold water sources. See faucet installation requirements and check local plumbing codes for more information.

Drain: Drain must be located as close to the floor as possible to ensure optimal drain performance. Typically, flexible hosing or telescoping PVC is used. Check local plumbing codes for more information. Please note the facility is responsible for all final plumbing connections.

Weight and Size: Approximate operating weight is around 200-300 pounds depending on size and custom orders. The weight capacity sits at 1,000 pounds.

Site Preparation: It is the responsibility of the facility to walk the path that your healthcare sink will travel from dock to department. The system will travel through to ensure it will properly fit in elevators, hallways, and doors. Also take into consideration tight turns during that path.

Please provide the following information (in inches). This will assure that your new healthcare reprocessing sink will fit from dock to department.

Minimum hallway width _____

Minimum hallway height _____

Minimum doorway height _____

Minimum doorway width _____

Is a loading dock available at this facility? _____

On which floor will the sink be installed? _____

Minimum elevator height, if applicable? _____

Minimum elevator width, if applicable? _____

Minimum elevator depth, if applicable? _____

By signing this packet of information, including the appliance drawings, and site preparation guide, you confirm that the provided measurements are accurate to ensure a safe, and easy delivery and installation of your healthcare reprocessing sink. Please double check any measurements, drawings, or final details before signing and submitting to your inside sales representative. Please note: fabrication will not begin until this document has been submitted with the final approval and signature from the facility.

Signature _____

Date _____