

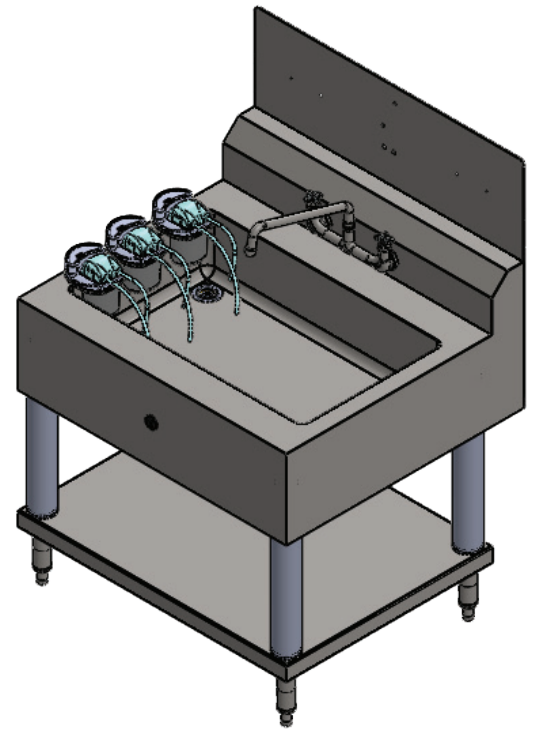
**APPLICATION**

PureSteel™ Healthcare Reprocessing Sinks are intended for use in the reprocessing and disinfection of surgical equipment and devices post operation including but not limited to flushing, soaking, leak testing, manual cleaning, and rinsing.

**DESCRIPTION**

PureSteel™ Healthcare Reprocessing Sinks are stainless steel sinks built for reprocessing departments that include an optional selection of accessories and features. PureSteel™ Sinks are height-adjustable with an electronic push button that adjust the sink basins and optional, attached pegboard. PureSteel™ Sinks also feature an open configuration storage shelf. Slanted surfaces prevent dust build-up. For additional ergonomics, slanted wrist edges can be included that remove pain on joints and wrists during long hour of pre-cleaning.

The XI Reprocessing Sink comes with an accessory package for optimal reprocessing that includes 3 FlexiPump™ Independent Flushing Systems, a custom fit silicone sink liner, a stainless steel back wall, 32oz. bottle holder and a 2 gallon rinse and solution tank. Each sink features volume etchings and ergonomic wrist rests to remove pinch points.



**The Selections Checked Below Apply to This Equipment**

**XI SINK**

- Standalone (no accessory package); QTY \_\_\_\_\_
- Accessory Package; QTY \_\_\_\_\_

**HEIGHT ADJUSTMENT**

- Height-adjustable sink
- Fixed sink

**BASE WITH SHELF**

- Casters
- Pedestal Feet

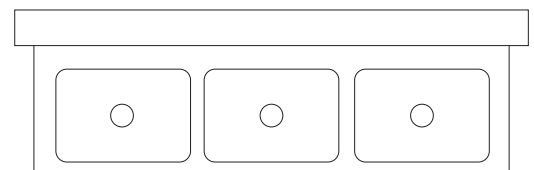
**SEISMIC COMPATIBILITY**

- Yes
- No

**PEGBOARD CONFIGURATION**

- None
- Standard size (size of sink x 11"); QTY \_\_\_\_\_
  - Pegs standard throughout
  - Special peg design \_\_\_\_\_
- Custom size; QTY & dimensions \_\_\_\_\_
  - Pegs standard throughout
  - Special peg design \_\_\_\_\_

- Accessory punches (please note placement on photo below)
  - 1/2"
  - 5/8"
  - 3/4"
  - 1"
  - Other



Facility

Contact Name

Contact E-mail

Facility Address

Representative Name

Date

Representative E-mail

Purchase Time Frame

Reason for new sinks

## CUSTOM ACCESSORY PACKAGE

- |  |   |   |
|--|---|---|
| <input type="checkbox"/> FlexiPump Independent Flushing System; QTY _____<br><input type="checkbox"/> Back wall installation<br><input type="checkbox"/> Sink wall Installation<br><input type="checkbox"/> PureStation™ Sink Inserts; QTY _____<br><input type="checkbox"/> 16 x 26<br><input type="checkbox"/> Flushing<br><input type="checkbox"/> 16 x 16<br><input type="checkbox"/> Flushing<br><input type="checkbox"/> PureStation™ Dedicated Eye Sinks; QTY _____<br><input type="checkbox"/> 16 x 26<br><input type="checkbox"/> Flushing<br><input type="checkbox"/> 16 x 16<br><input type="checkbox"/> Flushing | <input type="checkbox"/> 32 oz. Bottle Holder<br><input type="checkbox"/> 1 bottle holder; QTY _____<br><input type="checkbox"/> 2 bottle holder; QTY _____<br><input type="checkbox"/> 3 bottle holder; QTY _____<br><input type="checkbox"/> Gallon Bottle Holder<br><input type="checkbox"/> 1 bottle holder: QTY _____<br><input type="checkbox"/> 2 bottle holder: QTY _____<br><input type="checkbox"/> Digital Thermometer; QTY _____<br><input type="checkbox"/> Solution Container and Devices Kit; QTY _____<br><input type="checkbox"/> PureComfort™ Anti-Fatigue Mat; QTY _____<br><input type="checkbox"/> 3" x 5"<br><input type="checkbox"/> 3" x 8"<br><input type="checkbox"/> Custom size | <input type="checkbox"/> GelPro™ Eco-Pro; QTY _____<br><input type="checkbox"/> 20" x 32<br><input type="checkbox"/> 20" x 48"<br><input type="checkbox"/> 20" x 72"<br><input type="checkbox"/> 24" x 36"<br><input type="checkbox"/> 36" x 60"<br><input type="checkbox"/> Custom size _____<br><input type="checkbox"/> GelPro™ OR Anti-Fatigue Mat; QTY _____<br><input type="checkbox"/> Colombia Blue<br><input type="checkbox"/> 18"x 24"<br><input type="checkbox"/> 20"x 32"<br><input type="checkbox"/> 20"x 48"<br><input type="checkbox"/> DND Red<br><input type="checkbox"/> 18"x 24"<br><input type="checkbox"/> 20"x 32"<br><input type="checkbox"/> 20"x 48" |
|--|---|---|

## NOTES & REQUIREMENTS

**Power:** 15A, 120V, or 60H required. All units are equipped with a Sentrex® High Performance Plug-In outlet center. All Plug-In outlet center units and Surge Suppressors feature electrical and mechanical grounding and resettable circuit breaker for overload protection. 1 outlet required for power and must be within 12' from the back.

**Plumbing:** Braided hoses are used and must have 13" of latitude to allow the sink to articulate up and down. One hose is required for both hot and cold water sources. See faucet installation requirements and check local plumbing codes for more information.

**Drain:** Drain must be located as close to the floor as possible to ensure optimal drain performance. Typically, flexible hosing or telescoping PVC is used. Check local plumbing codes for more information. Please note the facility is responsible for all final plumbing connections.

**Weight and Size:** The weight capacity sits at 540 pounds. The external sink dimensions are 34" x 30" x 37" with an 11" height adjustable range. Internal bay dimensions are 30" x 18" x 8".