

# PureStation™ Sink Insert

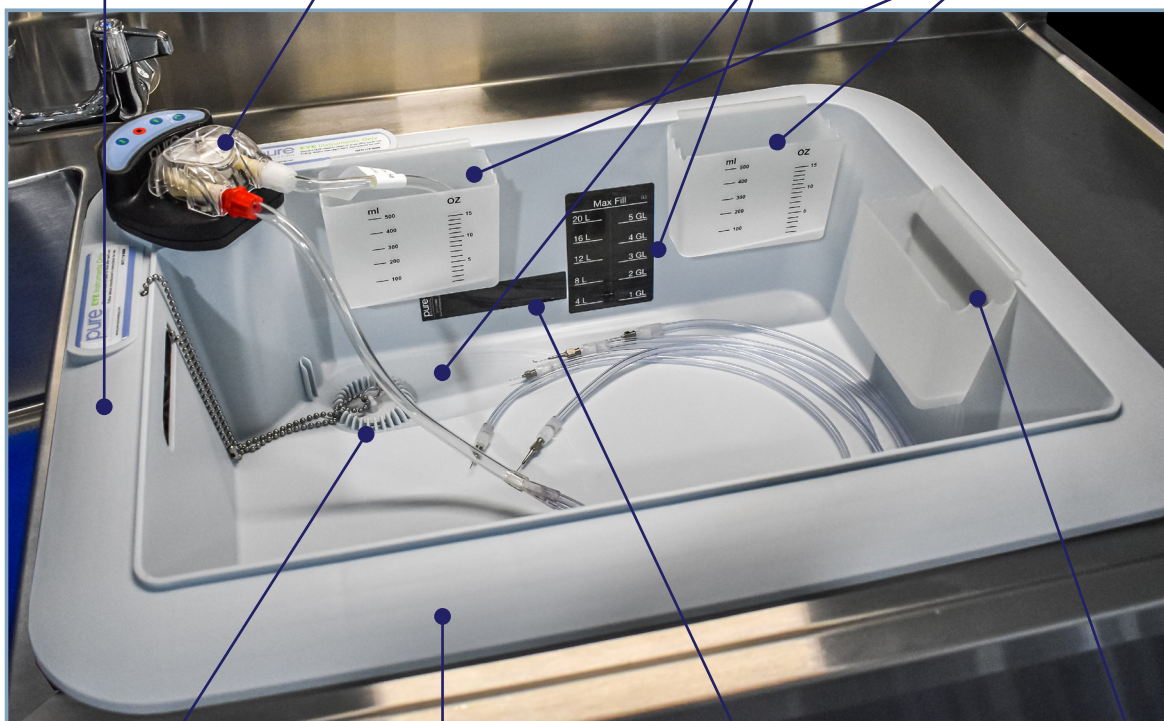
The PureStation™ Sink Insert is the way forward to faster and more ergonomic manual cleaning. The PureStation™ Sink Insert fits into pre-existing sink basins to raise the work level when manually cleaning instruments. Temperature strips, water volume markings and a chemical mixing well increase accuracy and help assure consistent results when using cleaning solutions. The PureStation Sink Insert can be used on counter tops, sink basins or in mobile carts. The optional FlexiPump™ Independent Flushing System can accommodate almost any lumened device or endoscope to add standardized automated flushing to your workflow.

A lightweight sink that works on countertops, in sinks, or on a mobile

Optional FlexiPump™ Independent Flushing System

Water volume indicator and chemical mixing well help assure accurate dilution rates

Cleaning solution caddy properly mixes cleaning solutions



Device drain catch prevents expensive parts from slipping down the drain

Raises work level, improving ergonomics

Thermometer strip monitors temperature for enzymatic detergents

Cut-out handles improve portability and prevent overflow

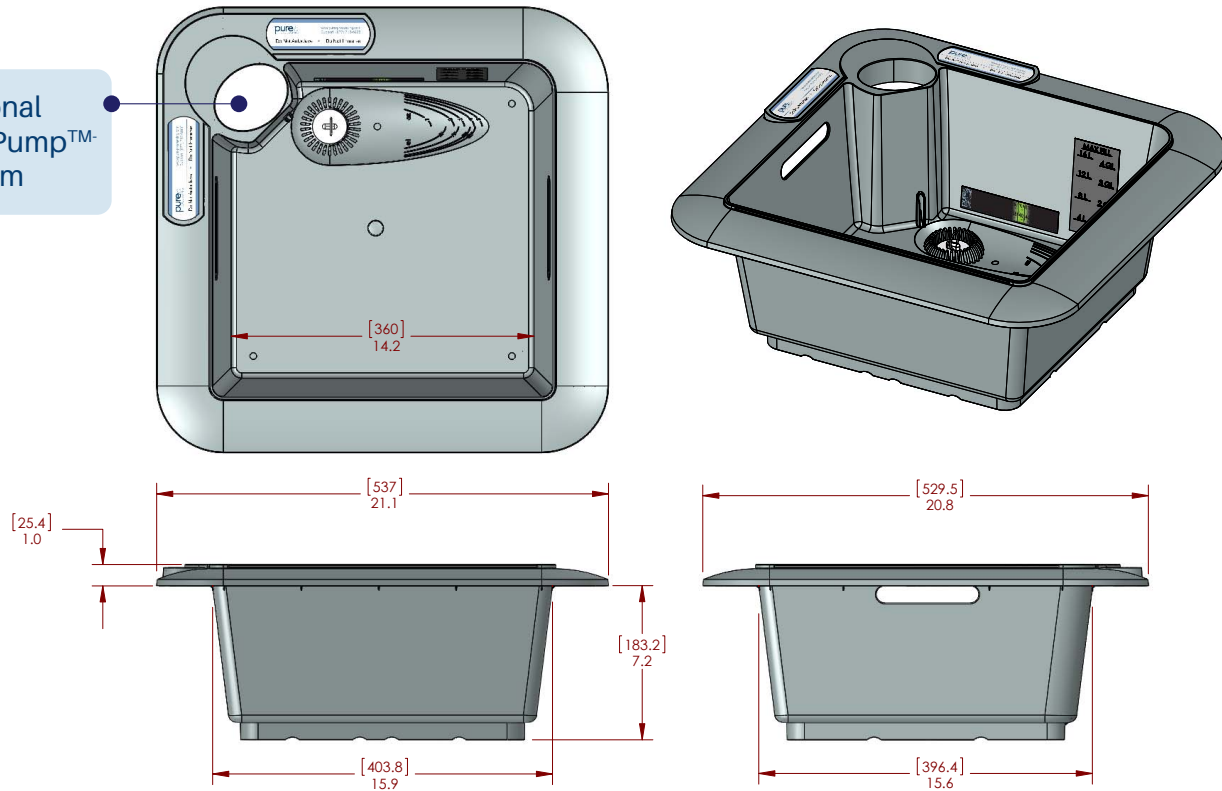
**pure**  
PROCESSING

TO SEE OUR VIDEO DEMONSTRATION GO TO  
<https://pure-processing.com/resources/videos/>

For more information about our PureStation™ Sink Inserts, call: **877.718.6868**

## PureStation™ Sink Insert 16x16 (Small)

Optional  
FlexiPump™  
System



Optional  
FlexiPump™  
System

## PureStation™ Sink Insert 16x26 (Large)

