

PureStation™ Sink Insert

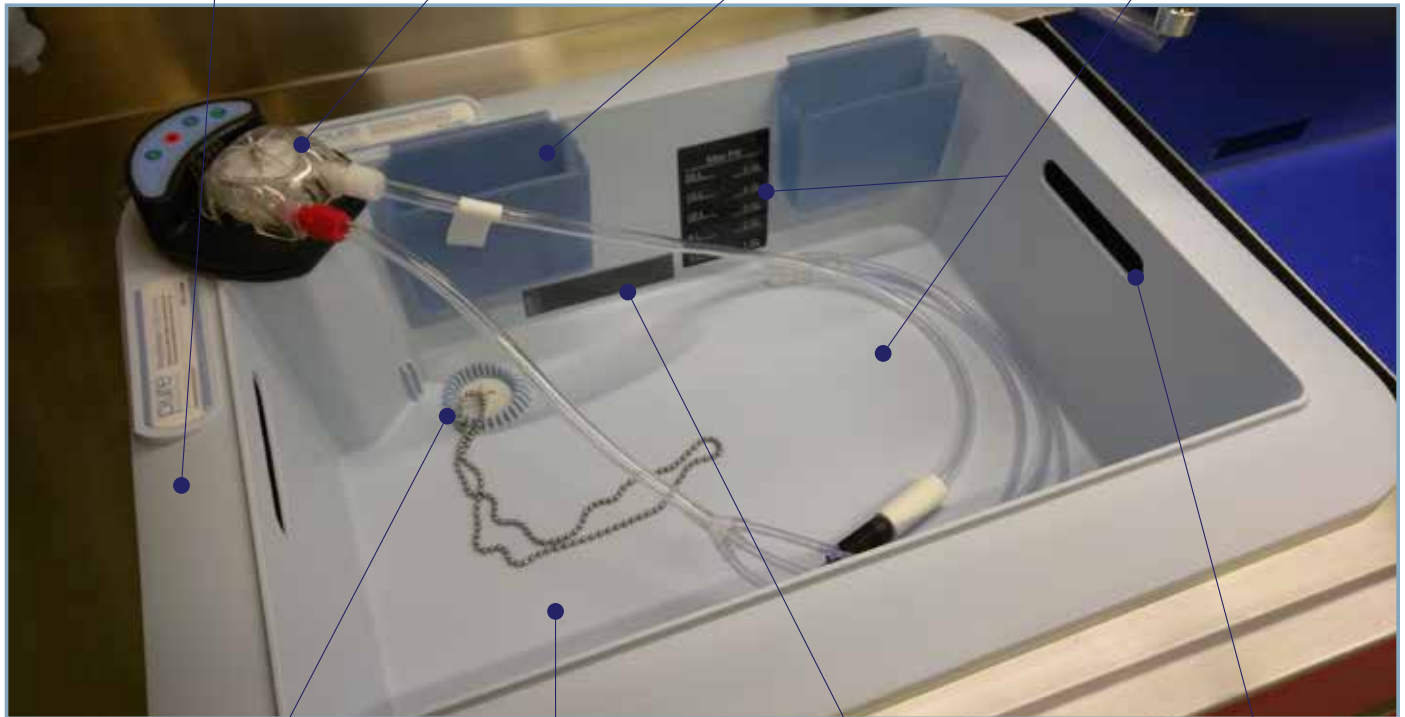
The PureStation™ Sink Insert is the way forward to faster and more ergonomic pre-cleaning. The PureStation™ Sink Insert fits into pre-existing sink basins to raise the work level when pre-cleaning instruments. Temperature strips, water volume markings and a chemical mixing well increase accuracy and help assure consistent results when using cleaning solutions. The PureStation Sink Insert can be used on counter tops, sink basins or in mobile carts. The optional FlexiPump™ Independent Flushing System can accommodate almost any lumened device or scope to add standardized automated flushing to your work flow.

A lightweight utility sink that works on countertops, in sinks, or on a mobile cart

Cleaning solution caddy increases accuracy for consistent results

Water volume indicator and chemical mixing well help assure accurate dilution rates

Optional FlexiPump™ Independent Flushing System



Device drain catch prevents expensive parts from slipping down the drain

Raises work level, improving ergonomics

Thermometer strip monitors temperature for enzymatic detergents

Cut-out handles improve portability and prevent overflow

pure
PROCESSING

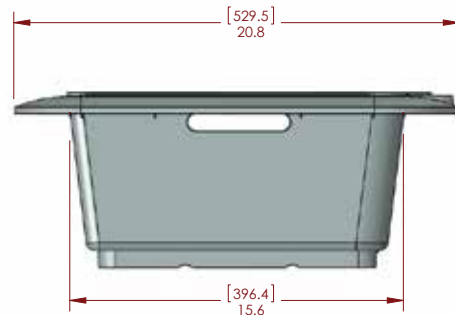
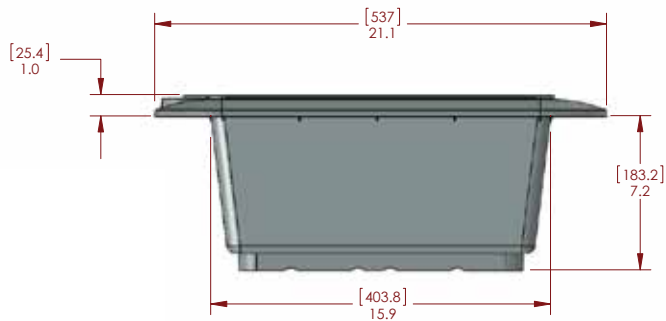
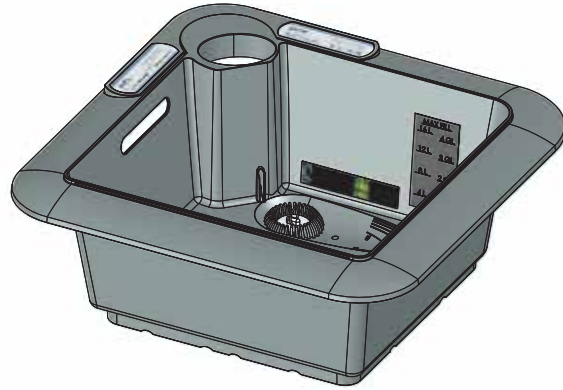
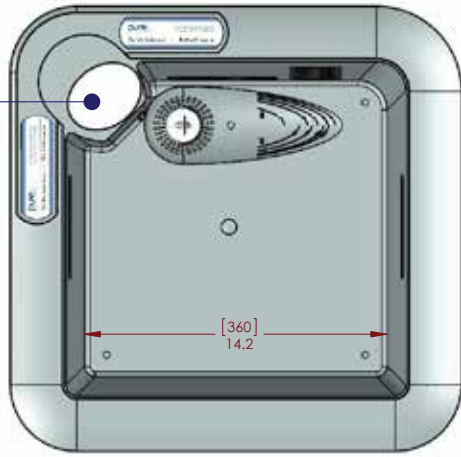
TO SEE OUR VIDEO DEMONSTRATION GO TO
www.pure-processing.com/video/

For more information about our
PureStation™ Sink Inserts, call:

877.718.6868

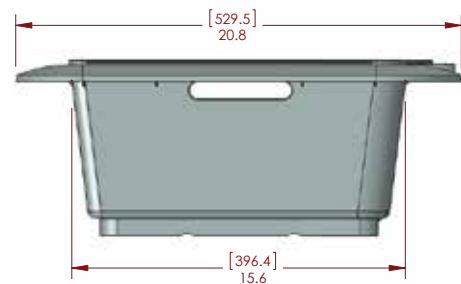
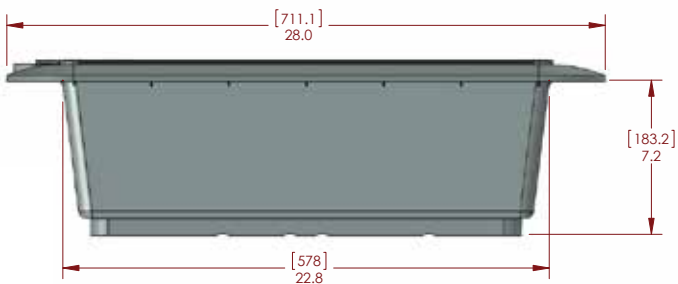
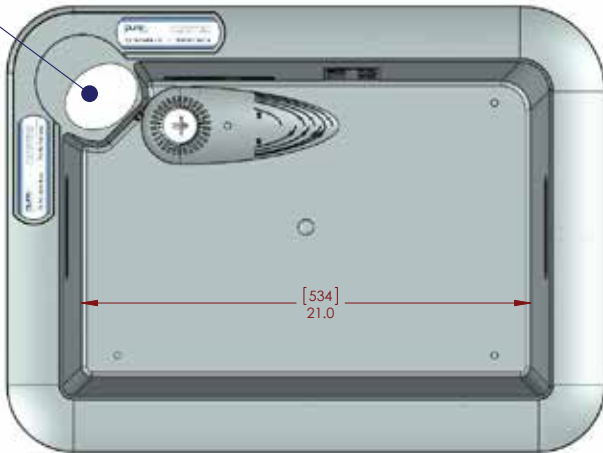
PureStation™ Sink Insert 16x16 (Small)

Optional
FlexiPump™
System



Optional
FlexiPump™
System

PureStation™ Sink Insert 16x26 (Large)



CUSTOM FITTINGS AVAILABLE Contact us for more information 877.718.6868